

SHELF SUPPORTS FOR GLASS

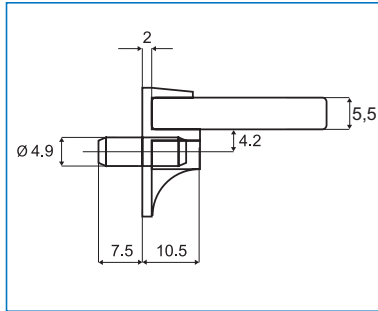
- high quality furniture fittings



GLASS SHELF SUPPORT - with retainer

Material: Steel pin Ø5 mm, bright zinc plated and transparent plastic support with retainer

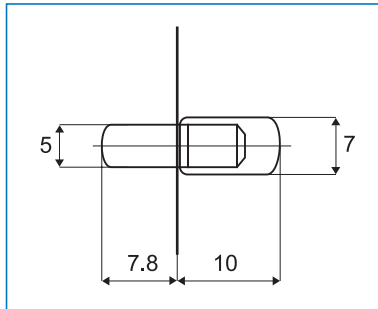
Suitable for GLASS THICKNESS
5,5 mm # 22.02.080



GLASS SHELF SUPPORT „CRISTAL“

Material: Steel pin Ø5 mm, mantled with transparent plastic to 7 mm diam.

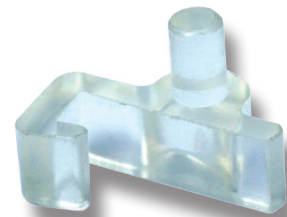
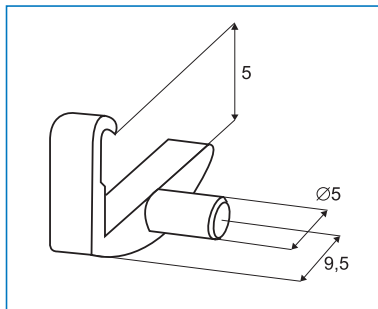
Item No.:
Bright zinc plated # 22.02.037
Brass plated # 22.02.038



GLASS SHELF SUPPORT

with slide lock No. 1630
- moulded in sets (left + right)

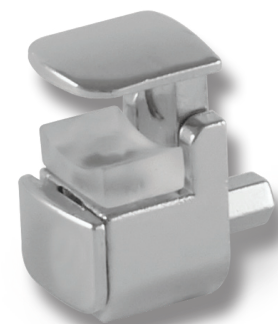
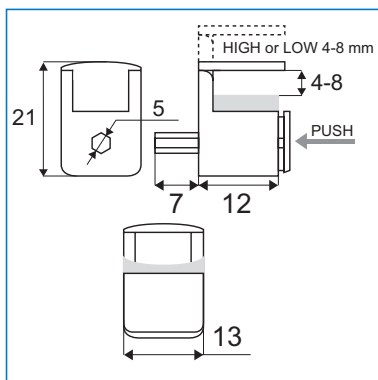
Material: Transparent plastic # 22.02.082
Pin: Ø5 mm
Bore hole: 9,5 mm from edge
Glass: 5 mm
Packing: 3500 pcs



GLASS SHELF SUPPORT „PARROT“ w/clip fixing to secure the glass

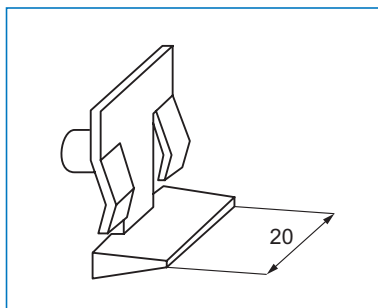
Material: Zamak, Nickel plated
Pin: Ø5 mm
Glass thickness: 4 - 8 mm
Item No.: # 22.02.456

Packing: 1000 pcs per export carton



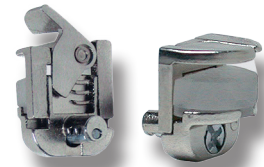
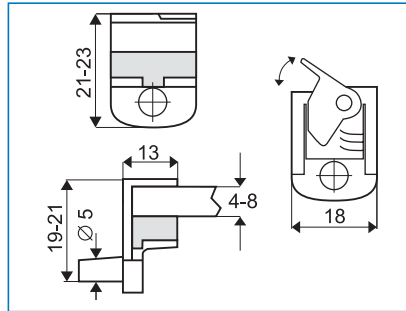
SHELF SUPPORT - w/ flexible Retainer for GLASS SHELVES (min. 5 mm)

Material: Plastic
PIN: 5 mm
Colours
White # 22.02.066
Black # 22.02.067
Brown
Transparent
For glass minimum 5 mm



**SHELF SUPPORT „ALFA“ - w/ catch
for glass 4-8 mm
with eccentric Pin Ø5 mm
Zamak
Nickel plated # 22.02.245**

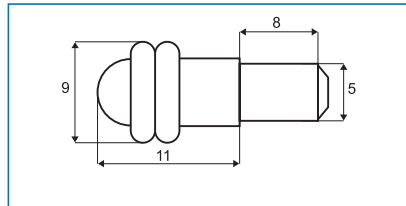
Options:
Without pin but with hole Ø5 mm for screw



**SHELF SUPPORT
w/2 rubber O-rings**

Material:
Steel, NPL # 22.02.200

Packing:
5000 pcs

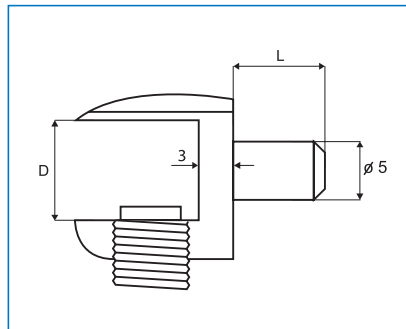


**SHELF SUPPORT
w/soft plastic screw**

Material:
Zamak, nickel plated

Sizes: D Ø L Item No.:
8 mm 5 mm 8 mm # 22.02.231
5 mm 5 mm 8 mm # 22.02.230

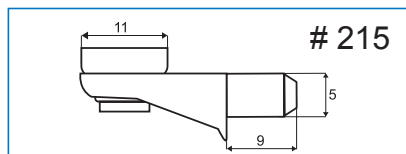
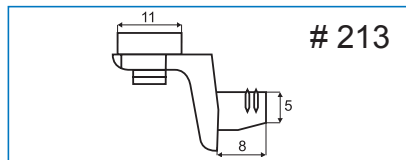
Packing:
1000 pcs



SHELF SUPPORT W/SUCTION PAD

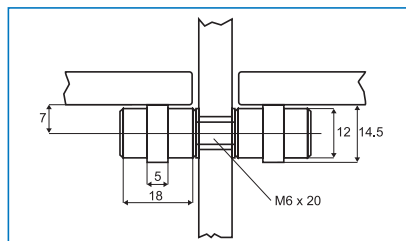
Material:
Zamak, nickel plated
No. 213 # 22.02.240
No. 215 # 22.02.241

Packing:
2500 pcs



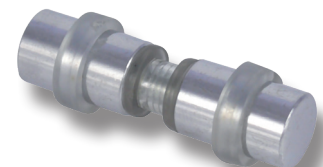
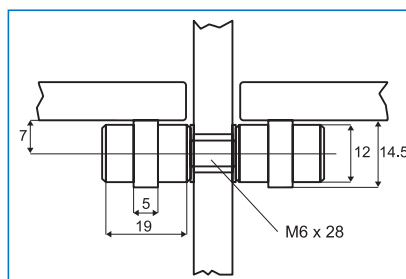
**SHELF SUPPORT - "Double" - Brass -
w/2 black rubber rings**

Material: Brass, nickel plated
Size: 2 pcs each Ø12 x 18 mm
Bore: Ø8 mm
Glass thickness: 6 - 8 mm
Item No.: # 22.02.116



**SHELF SUPPORT - "Double" - Steel -
w/2 transparent rings**

Material: Steel, chrome plated
Size: 2 pcs each Ø12 x 19 mm
Bore: Ø8 mm
Glass thickness: 4 - 8 mm
Item No.: # 22.02.111



SHELF SUPPORTS FOR GLASS

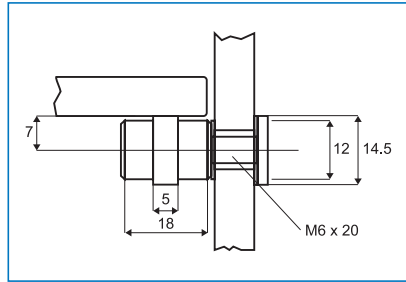
- high quality furniture fittings



SHELF SUPPORT - "Single" - Brass - w/1 black rubber ring

Material: Brass, nickel plated
Size: Ø12 x 18 mm
Bore: Ø8 mm
Glass thickness: 6 - 8 mm

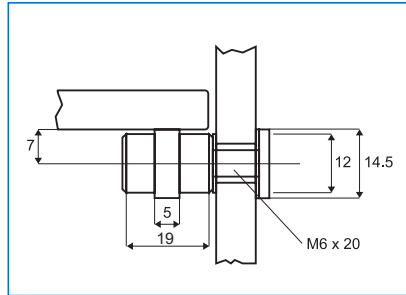
Item No.: # 22.02.115



SHELF SUPPORT - "Single" - Steel - w/1 transparent ring

Material: Steel, chrome plated
Size: Ø12 x 19 mm
Bore: Ø8 mm
Glass thickness: 4 - 8 mm

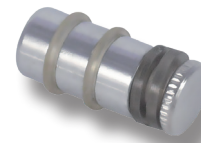
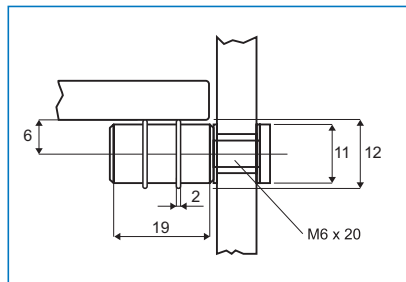
Item No.: # 22.02.106



SHELF SUPPORT - "Single" - Steel - w/2 transparent rings

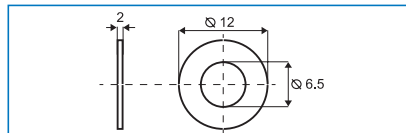
Material: Steel, chrome plated
Size: Ø11 x 19 mm
Bore: Ø8 mm
Glass thickness: 4 - 8 mm

Item No.: # 22.02.105



EXTRA RUBBER washer for shelf support # 22.02.115 & 116

Transparent # 22.02.114

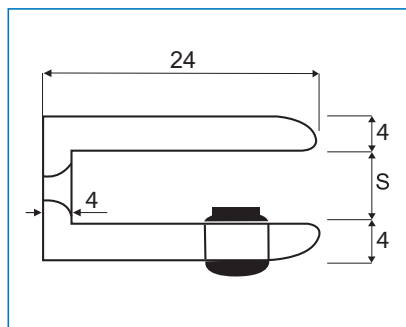


SHELF SUPPORT - Cylindrical Mounting with wood screw Ø4,5 mm

Material: Zamak

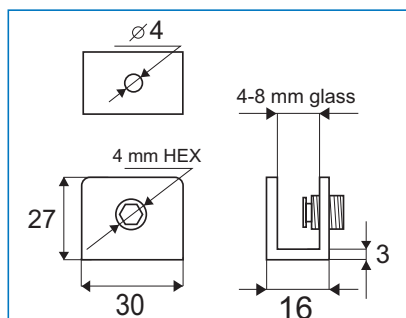
Material	Ø	S	Item No.:
CPL	Ø17 mm	4 - 6 mm	# 22.02.220
ALU	Ø17 mm	4 - 6 mm	# 22.02.221
CPL	Ø20 mm	8 - 10 mm	# 22.02.210
ALU	Ø20 mm	8 - 10 mm	# 22.02.213

Packing:
100 pcs



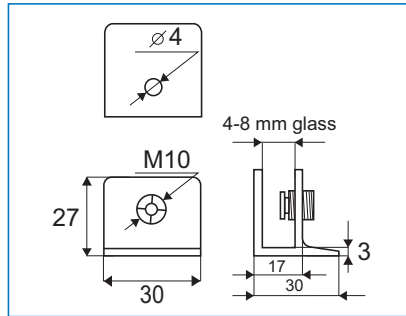
GLASS SHELF SUPPORT „SQUARE“ w/Ø4 mm screw hole, CSK

Material: Zamak
Size: (W/H/D) 30 x 27 x 16 mm
Glass thickness: 4 - 8 mm
 Chrome plated # 22.02.560
 Alu finish # 22.02.561
 SS-look # 22.02.563



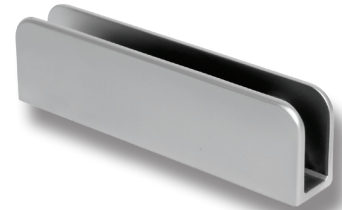
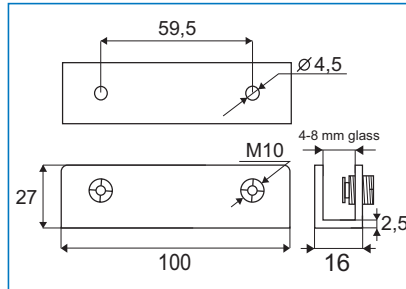
GLASS SHELF SUPPORT „SQUARE“ "X-STRONG"

Material: Zamak
Size: (W/H/D) 30 x 30 x 27 mm
Glass thickness: 4 - 8 mm
Mounting: Ø4 mm CSK hole
 Chrome plated # 22.02.610
 Alu finish # 22.02.611



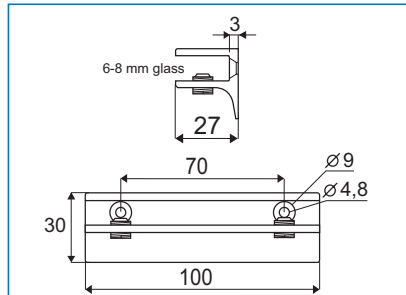
GLASS SHELF SUPPORT „SQUARE XL“

Material: Zamak
Size: (W/H/D) 100 x 16 x 27 mm
Glass thickness: 4 - 8 mm
Mounting: Ø4 mm CSK hole
 Chrome plated # 22.02.565
 Alu finish # 22.02.566



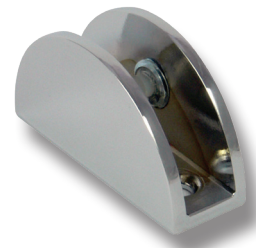
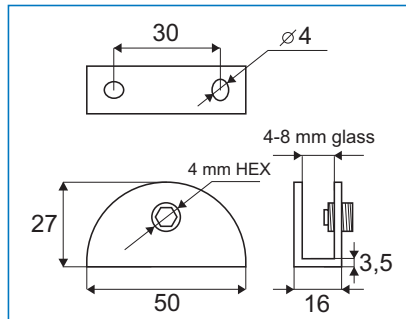
GLASS SHELF SUPPORT "SHELFIE"

Material: Zamak
Size: (W/H/D) 100 x 30 x 27 mm
Glass thickness: 6 - 8 mm
Mounting: Ø 5 mm CSK Holes
 Item No.: # 22.02.625



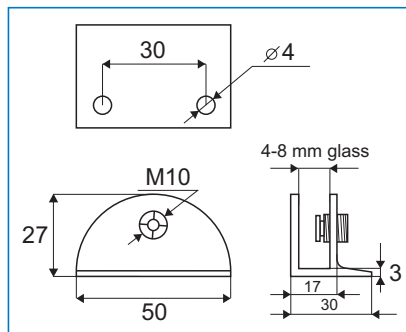
GLASS SHELF SUPPORT „HALF MOON“ w/Ø4 mm screw hole, CSK

Material: Zamak
Size: (W/H/D) 50 x 16 x 27 mm
Glass thickness: 4 - 8 mm
 Chrome plated # 22.02.570
 Alu finish # 22.02.571
 SS-look # 22.02.573



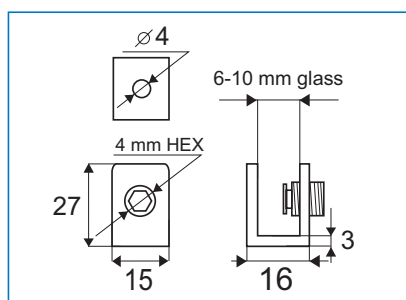
GLASS SHELF SUPPORT „HALF-MOON“ "X-STRONG"

Material: Zamak
Size: (W/H/D) 50 x 30 x 27 mm
Glass thickness: 4 - 8 mm
Mounting: Ø4 mm CSK hole
 Chrome plated # 22.02.620
 Alu finish # 22.02.621



GLASS SHELF SUPPORT „MUS“ w/Ø4 mm screw hole, CSK

Material: Zamak
Size: (W/H/D) 15 x 16 x 27 mm
Glass thickness: 6 - 10 mm
 Chrome plated # 22.02.600
 Alu finish # 22.02.601
 SS-look # 22.02.603



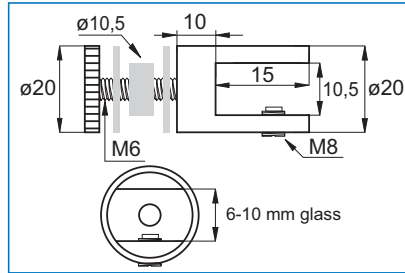
SHELF SUPPORTS FOR GLASS

- high quality furniture fittings



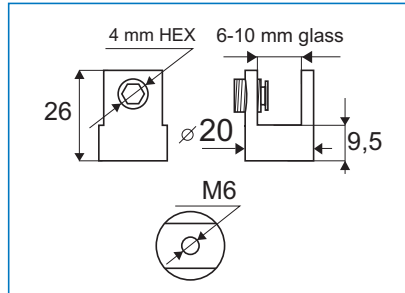
GLASS SHELF SUPPORT „CYLINDRICAL“ F/GLASS WALL FIXING

Material: Brass
Size: Ø20 x 26 mm
Glass thickness: 6 - 10 mm
Chrome plated # 22.02.235



GLASS SHELF SUPPORT „CYLINDRICAL“ w/M6 mm screw hole

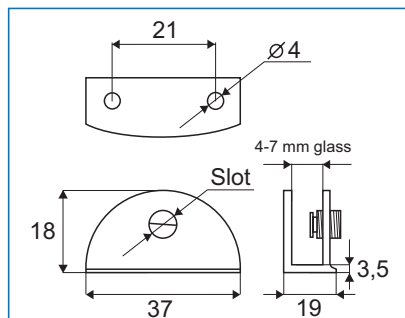
Material: Zamak
Size: Ø20 x 26 mm
Glass thickness: 6 - 10 mm
Chrome plated # 22.02.226
Alu finish # 22.02.227
SS-look # 22.02.228



GLASS SHELF SUPPORT „DOME“ SMALL w/Ø4 mm screw hole, CSK

Material: Zamak, Chrome plated
Size: (W/H/D) 37 x 19 x 18 mm
Glass thickness: 4 - 7 mm
Item No. # 22.02.575

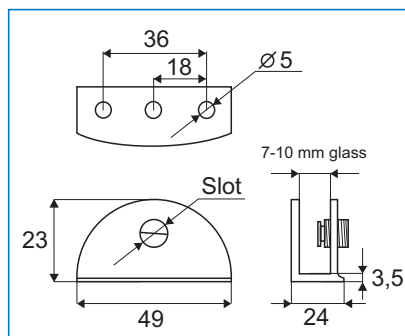
Inclusive screws and wall plugs



GLASS SHELF SUPPORT „DOME“ LARGE w/Ø5 mm screw holes, CSK

Material: Zamak
Size: (W/H/D) 49 x 24 x 23 mm
Glass thickness: 7 - 10 mm
Chrome plated # 22.02.580

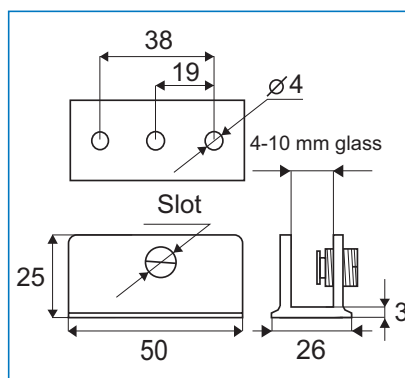
Inclusive screws and wall plugs



GLASS SHELF SUPPORT „RECTA“ LARGE w/Ø5 mm screw holes, CSK

Material: Zamak, Chrome plated
Size: (W/H/D) 50 x 26 x 25 mm
Glass thickness: 4 - 10 mm
Item No. # 22.02.595

Inclusive screws and wall plugs



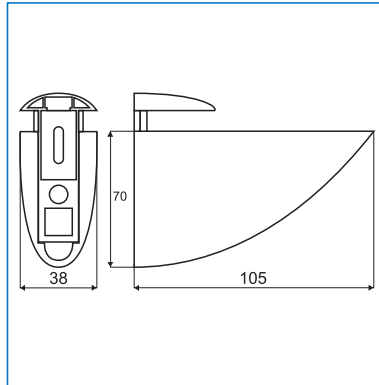
ADJUSTABLE SHELF SUPPORT „PELICANS“

MODEL NO. 53

For glass & wood shelves

Material: Zamak
Shelf thickness: 4 - 40 mm
Max load: 40 kg

Finish:
 Alu finish # 22.02.550
 Polished chrome # 22.02.552
 SS-look # 22.02.553

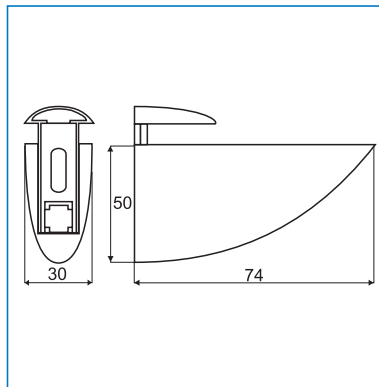


MODEL NO. 52

For glass & wood shelves

Material: Zamak
Shelf thickness: 4 - 26 mm
Max load: 30 kg

Finish:
 Alu finish # 22.02.545
 Mat nickel # 22.02.546
 SS-look # 22.02.548

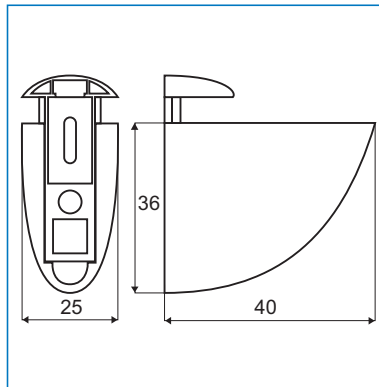


MODEL NO. 45

For glass & wood shelves

Material: Zamak
Shelf thickness: 4 - 10 mm
Max load: 20 kg

Finish:
 Polished chrome # 22.02.495
 SS-look # 22.02.496

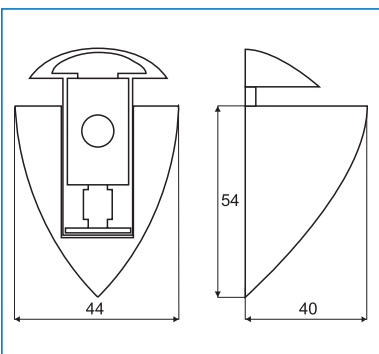


MODEL NO. 47

For glass & wood shelves

Material: Zamak
Shelf thickness: 4 - 22 mm
Max load: 20 kg

Finish:
 Mat chrome coated # 22.02.510
 SS-look # 22.02.513



ADJUSTABLE SHELF SUPPORT „PELICANS“

- high quality furniture fittings

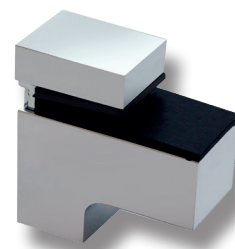
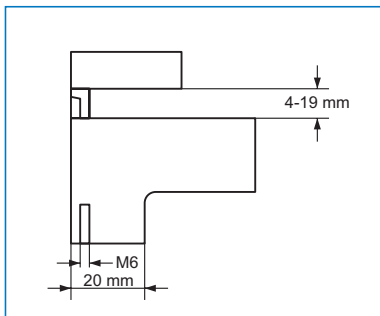


MODEL NO. 49

For glass & wood shelves

Material: Zamak
Shelf thickness: 4 - 19 mm
Max load: 20 kg

Finish:
 Chrome plated # 22.02.525
 Alu finish # 22.02.526

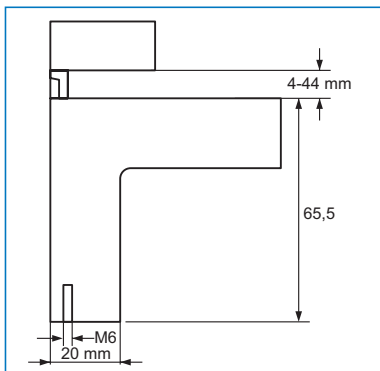


MODEL NO. 54

For glass & wood shelves

Material: Zamak
Shelf thickness: 4 - 44 mm
Max load: 20 kg

Finish:
 Chrome plated # 22.02.555
 Alu finish # 22.02.556

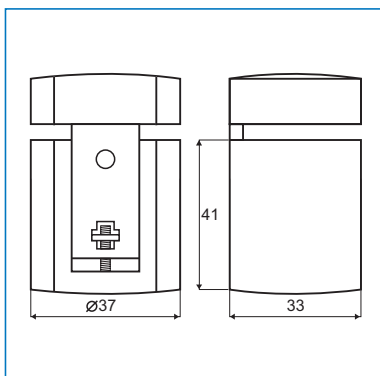


MODEL NO. 43

For glass & wood shelves

Material: Zamak
Shelf thickness: 4 - 24 mm
Max load: 20 kg

Finish:
 Black coated # 22.02.470
 Alu finish # 22.02.471
 SS-look # 22.02.473
 Matt nickel # 22.02.474



MODEL NO. 44

For glass & wood shelves

Material: Zamak
Shelf thickness: 4 - 24 mm
Max load: 20 kg

Finish:
 Polished chrome # 22.02.477
 Matt nickel # 22.02.479

